

PQ070XH01ZxH

Low Voltage Operation
Low Power-Loss Voltage Regulator

Features

1. Low voltage operation
(Minimum operating voltage: 2.35V)
2. Output current : 1A
3. Low dissipation current
(Dissipation current at no load: MAX. 2mA
Output OFF-state dissipation current: MAX.5μA)
4. Low power-loss (V_{i-o} 0.5V MAX at $I_o=0.5A$)
5. Built-in overcurrent and overheat protection functions
6. TO-263 package
7. RoHS directive compliant

Applications

1. Peripheral equipment of personal computers
2. Power supplies for various electronic equipment such as DVD player or STB

Model Line-up

Output current (I_o)	Package type	Variable output
1A	Taping	PQ070XH01ZPH
	Sleeve	PQ070XH01ZZH

Absolute Maximum Ratings

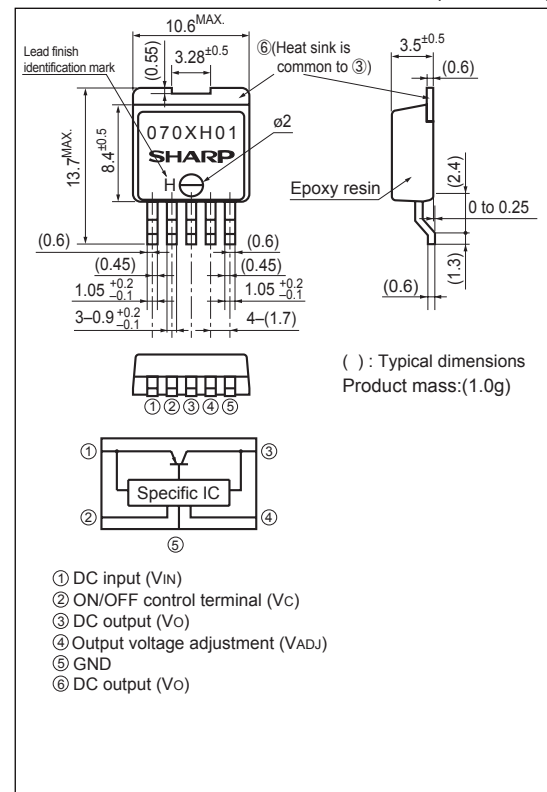
($T_a=25^{\circ}C$)

Parameter	Symbol	Rating	Unit
*1 Input voltage	V_{IN}	10	V
*1 ON/OFF control terminal voltage	V_C	10	V
*1 Output adjustment terminal voltage	V_{ADJ}	5	V
Output current	I_o	1	A
*2 Power dissipation	P_D	35	W
*3 Junction temperature	T_j	150	$^{\circ}C$
Operating temperature	T_{opr}	-40 to +85	$^{\circ}C$
Storage temperature	T_{stg}	-40 to +150	$^{\circ}C$
Soldering temperature	T_{sol}	260(10s)	$^{\circ}C$

- *1 All are open except GND and applicable terminals.
*2 P_D : With infinite heat sink
*3 Overheat protection may operate at T_j : 125 $^{\circ}C$ to 150 $^{\circ}C$

Outline Dimensions

(Unit : mm)



Lead finish: Lead-free solder plating
(Composition: Sn2Cu)

Notice The content of data sheet is subject to change without prior notice.

In the absence of confirmation by device specification sheets, SHARP takes no responsibility for any defects that may occur in equipment using any SHARP devices shown in catalogs, data books, etc. Contact SHARP in order to obtain the latest device specification sheets before using any SHARP device.

Electrical Characteristics

(Unless otherwise specified, condition shall be $V_{IN}=5V, V_O=3V (R_1=1k\Omega), I_O=0.5A, T_a=25^\circ C$)

Parameter	Symbol	Conditions	MIN.	TYP.	MAX.	Unit
Input voltage	V_{IN}	-	2.35	-	10	V
Output voltage	V_O	-	1.5	-	7	V
Reference voltage	V_{ref}	-	1.225	1.25	1.275	V
Load regulation	Reg_L	$I_O=5mA$ to 1A	-	0.2	2.0	%
Line regulation	Reg_L	$V_{IN}=4$ to 8V, $I_O=5mA$	-	0.2	1.0	%
Temperature coefficient of reference voltage	$T_C V_{ref}$	$T_j=0$ to $+125^\circ C$, $I_O=5mA$	-	± 1.0	-	%
Ripple rejection	RR	Refer to Fig.2	45	60	-	dB
Dropout voltage	V_{I-O}	$V_{IN}=2.85V$, $I_O=0.5A$	-	-	0.5	V
ON-state voltage for control	$V_{C(ON)}$	-	2.0	-	-	V
ON-state current for control	$I_{C(ON)}$	-	-	-	200	μA
OFF-state voltage for control	$V_{C(OFF)}$	$I_O=0A$	-	-	0.8	V
OFF-state current for control	$I_{C(OFF)}$	$I_O=0A, V_C=0.4V$	-	-	2	μA
Quiescent current	I_q	$I_O=0A$	-	1	2	mA
Output OFF-state consumption current	I_{qs}	$I_O=0A, V_C=0.4V$	-	-	5	μA

*4 In case of opening control terminal ②, output voltage turns off

Fig.1 Test Circuit

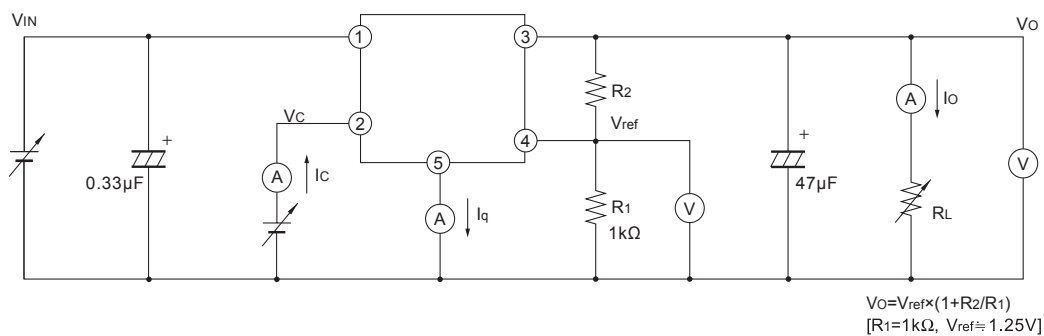


Fig.2 Test Circuit for Ripple Rejection

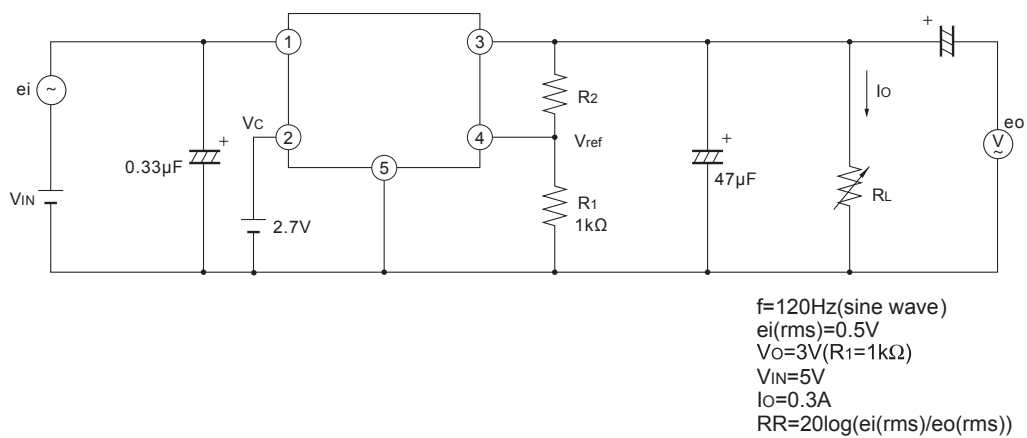
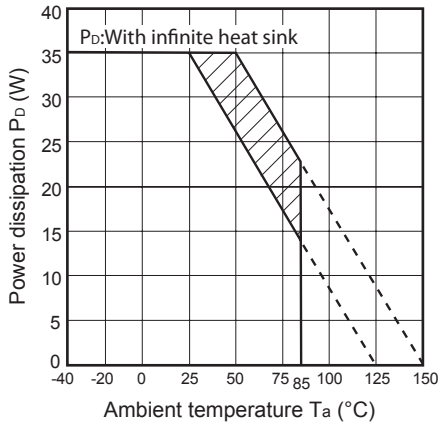


Fig.3 Power Dissipation vs. Ambient Temperature



Note) Oblique line portion: Overheat protection may operate in this area.

Fig.4 Overcurrent Protection Characteristics

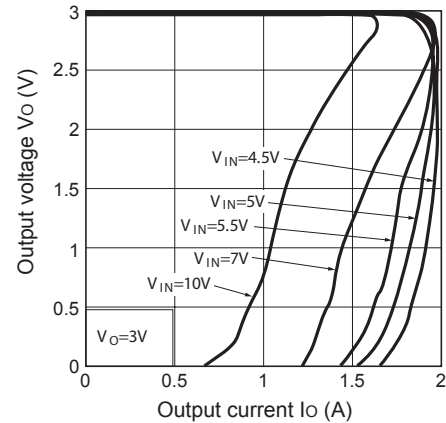


Fig.5 Reference Voltage vs. Junction Temperature

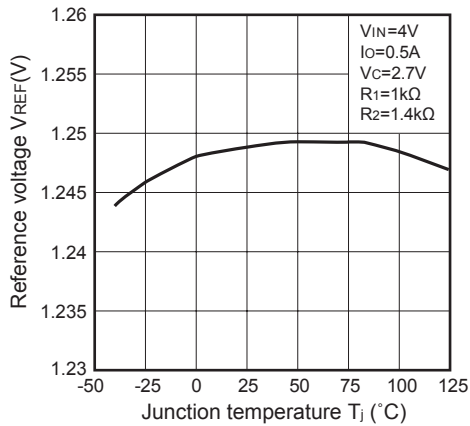


Fig.6 Output Voltage vs. Input Voltage

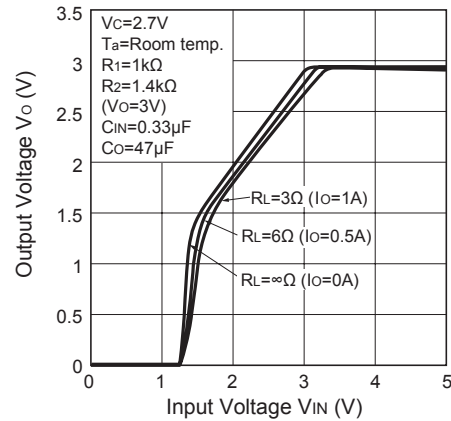


Fig.7 Circuit Operating Current vs. Input Voltage

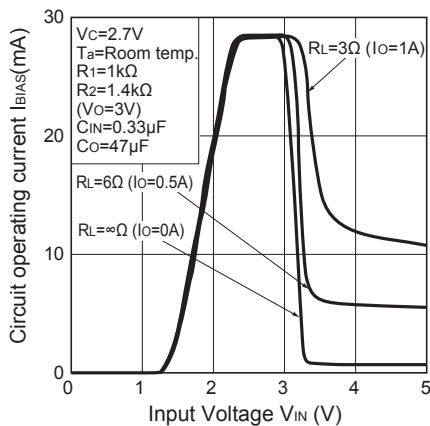


Fig.8 Dropout Voltage vs. Junction Temperature

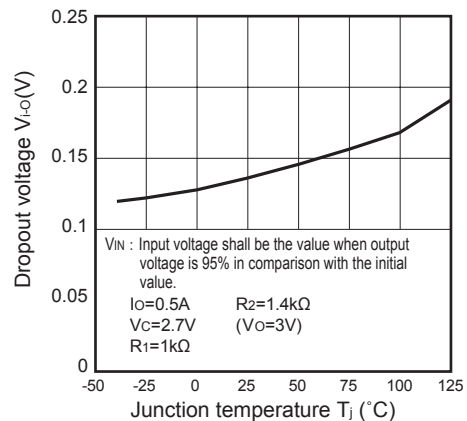


Fig.9 ON-OFF Threshold Voltage vs. Junction Temperature

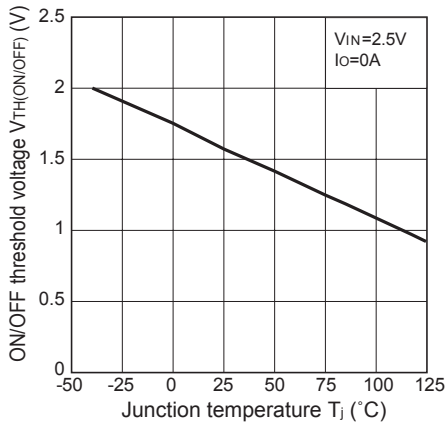


Fig.10 Quiescent Current vs. Junction Temperature

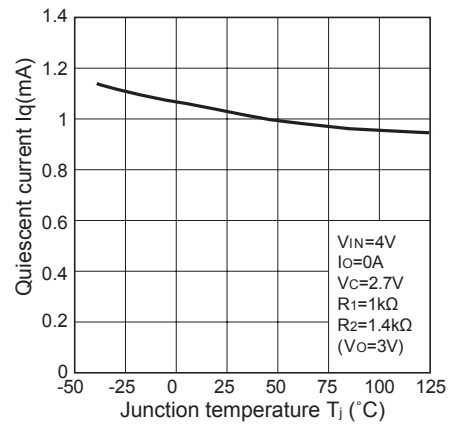


Fig.11 Ripple Rejection vs. Input Ripple Frequency

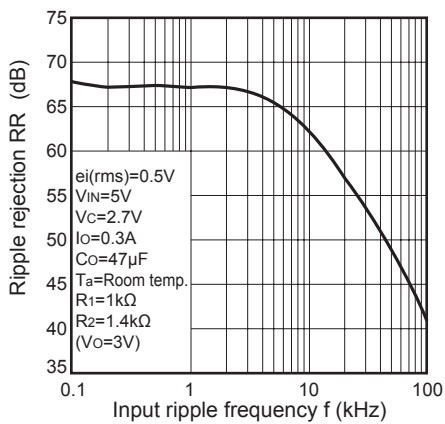


Fig.12 Ripple Rejection vs. Output Current

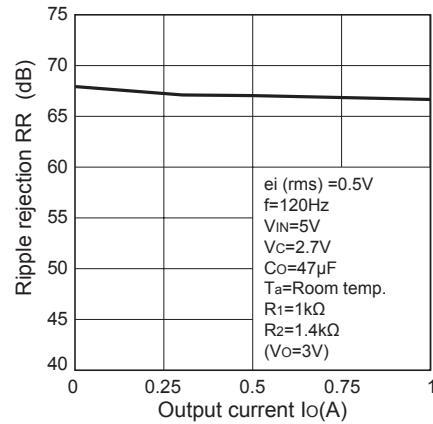
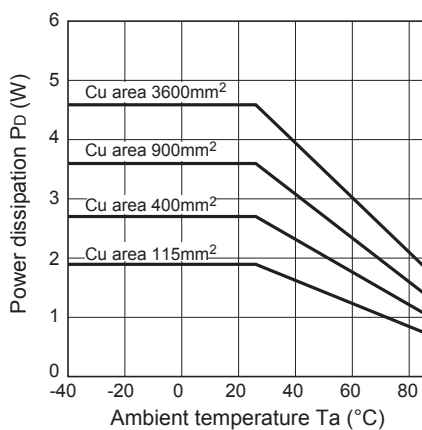
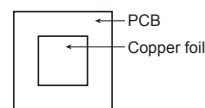


Fig.13 Power Dissipation vs. Ambient Temperature

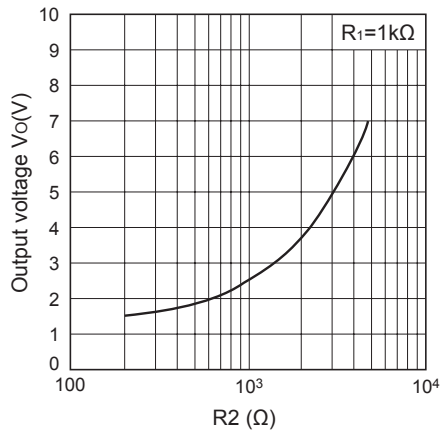


Mounting PCB

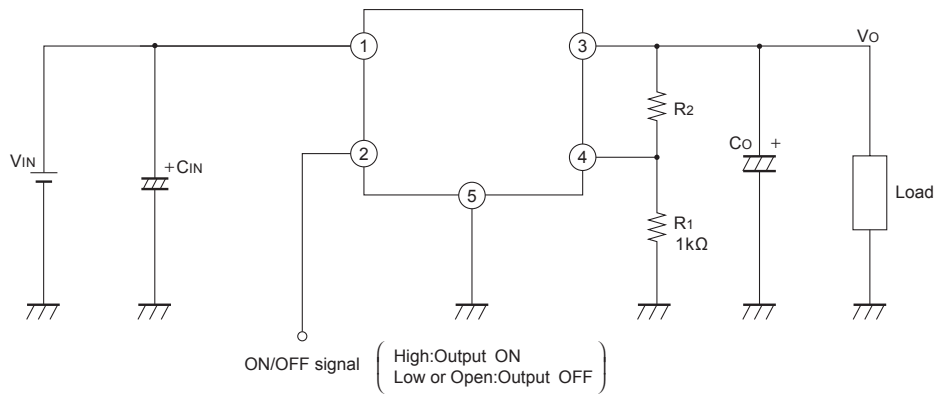


Material : Glass-cloth epoxy resin
 Size : 60×60×1.6mm
 Thickness of copper : 65μm

Fig.14 Output Voltage Adjustment Characteristics (Typical value)



■ Typical Application



■ Setting of Output Voltage

Output voltage is able to set from 1.5V to 7V when resistors R₁ and R₂ are attached to ,③、④、⑤ terminals. As for the external resistors to set output voltage, refer to the figure below and Fig.14.

